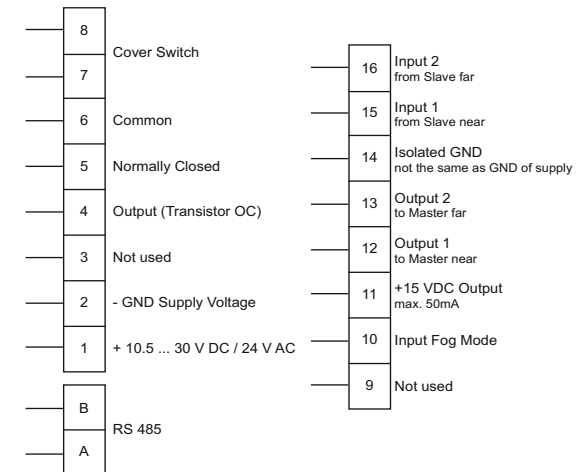
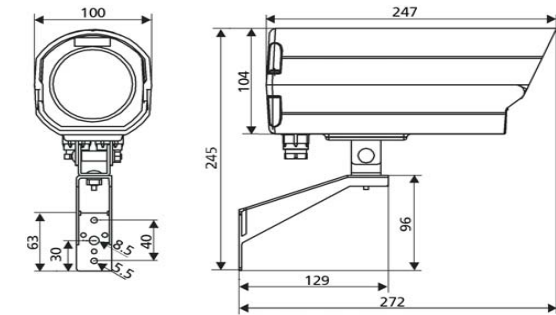


Xtralis ADPRO PRO Intelligent Passive Infrared (PIR) Detectors



Specification / Model	PRO-18WI	PRO-18WHI	PRO-45I	PRO-45HI	PRO-100I	PRO-100HI
Item Code	CH10051401	CH10051501	CH10021401	CH10021501	CH10031401	CH10031501
Detection principle	Volumetric wide-angle		Curtain, medium-range		Curtain, long-range	
Nominal range (L x W), width at nominal range	21 m x 24 m (70 ft x 80 ft)	27 m x 30 m (90 ft x 100 ft)	50 m x 3.3 m (165 ft x 11 ft)	60 m x 3.9 m (200 ft x 13 ft)	120 m x 2.9 m (400 ft x 9 ft)	150 m x 3.3 m (500 ft x 11 ft)
Angle of beam	90°		3.8°	3.4°	1.3°	1.4°
Side View Standard Version (H-Version)						
Top View, Width at Nominal Range Standard Version (H-Version)						
Creep zone	1 m (3 ft)			8 m (25 ft)		
Spectral response	8-14μ, double filtered					
Pyroelectric Sensor	single-channel, differential			triple-channel, differential		
Alarm output	1 Relay (30 V _{DC} , max. 100 mA) and 1 Open-Collector (30 V _{DC} , max. 50 mA)					
Alarm indicator	Internal LED					
Data port	RS 485, 9.6 kbps					
Detection speed range	0.2 - 5 m/s (0.7 - 16 ft/s)					
Adjustments DIP-switch: - Sensitivity	40%, 75%, 100% (% of standard)			n.a.		
- Range (absolute in m)	n.a.			60 / 84 / 120		75 / 105 / 150
Adjustments Software: - Sensitivity	20% -140% (% of standard)			50-150% (% of standard)		
- Range (absolute in m)	n.a.			60 / 72 / 84 / 96 / 108 / 120		75 / 90 / 105 / 120 / 135 / 150
Temperature compens.	Full compensation over entire operating temperature range					
Internal switches	Sensitivity, ATD, Pulse Count, Anti-Tamper		Sensitivity, ATD, Anti-Tamper, Mounting		Sensitivity, Range, ATD, Anti-Tamper, Mounting Height	
Supply voltage	10.5 - 30 V _{DC} , 24 V _{AC} ±15% auto-sensing, excluding heater					
Supply current	18 mA @ 12 V _{DC} , 12 mA @ 24 V _{DC} , 30mA @ 24 V _{AC} (@ +25°C)					
Heater power (H-types)	2 W / 176 mA @ 12 V _{DC} at -40°C (40°F)					
Operating temperature	Standard versions: -20 °C to +60 °C (-4 °F to +140 °F) / H-Versions: -40 °C to +60 °C (-40 °F to +140 °F)					



Units comprise the following:

- ▶ Heavy duty weatherproof housing (IP54)
- ▶ Mounting height 2.5 to 4 metres (8 to 13 ft)
- ▶ Integral wall mounting brackets on all models
- ▶ High precision mirror optics
- ▶ Silicon wafer window (H-versions only)
- ▶ Digital signal processing
- ▶ RS-485 interface
- ▶ Continuous gap-free curtain coverage

DistributedBy:

Ryan Solutions e.U, Schönbrunner Schlossstrasse 44/3, 1120 Vienna, Austria,

Katerina Ryan, +4369917207569, Skype ID: katryan80, katerina@ryansolutions.eu www.ryansolutions.eu



Xtralis ADPRO PRO Intelligent PIRs — Intelligent Passive Infrared Perimeter Intrusion Detector Series

Why ADPRO PRO Intelligent PIR by Xtralis?

- ▶ Very low nuisance alarm rates and false alarm rates
- ▶ Remote access for configuration and management
- ▶ Unique anti-vandal feature to detect changes in detector alignment
- ▶ 4 metre (13 ft) nominal mounting height for minimal risk of vandalism
- ▶ Integrated metal wall-mount bracket
- ▶ Wide power supply range 10.5 to 30 V_{DC} or 24 V_{AC} (auto-sensing)
- ▶ Low installation and maintenance costs

Application:

Intrusion detection - an “electronic fence” - in combination with alarm verification - video surveillance - protects property and prevents sabotage.

- ▶ Perimeter Intrusion Detection
- ▶ Volumetric and/or barrier protection
- ▶ Proactive video surveillance
- ▶ Providing reliable detection for remotely monitored and detector activated CCTV systems for maximum Central Monitoring Station (CMS) profitability

Accessories:

- ▶ Configuration and commissioning software
- ▶ IFM-485-ST Interface Module (PC)
- ▶ CT PRO 2 wireless walk-tester
- ▶ AD 851 Alignment Telescope for detectors with curtain-shaped coverage
- ▶ ZA P-L1 pole mount bracket
- ▶ PRO-CMB-W pole mount bracket

Xtralis ADPRO PRO Series detectors are developed in Switzerland and engineered to provide unparalleled reliability and accuracy. Utilizing Passive Infrared (PIR) technology, combined with high-precision mirror optics and an advanced digital signal processing (DSP), ADPRO PRO Series detectors achieve unsurpassed performance in virtually all environmental conditions.

The Xtralis ADPRO PRO Intelligent PIR series represents a true paradigm shift in perimeter intrusion detection.

Until now PIRs have been simple alarm triggers, but with Intelligent PIRs interactivity adds actionable intelligence. This built-in intelligence offers integrated logical combinations not only for the detector itself, but also for a complete set of three detectors: one Master and two Slaves. Easy to understand, easy to install, and with a high degree of flexibility, a perimeter intrusion detection system will result in a highly reliable solution with a low total cost of ownership (TCO). In contrast to standard PIR approaches, Intelligent PIRs eliminate:

- ▶ overreach detection outside the desired area (cost for range termination)
- ▶ tamper attack detection by securing the detector’s creep zone (cost for additional detector)
- ▶ sensitivity setting and alignment in order to balance detection and false alarm rate
- ▶ low visibility performance in the case of harsh environmental conditions like fog, snow or hail

With ADPRO PRO Intelligent PIRs always covering all areas of the perimeter with at least 2 detectors facing different directions and having different distances to any point of intrusion result in:

- ▶ the whole perimeter is seamless and tightly protected including all detectors themselves
- ▶ the harmonic sensitivity over the whole nominal detection range offers an overall high sensitivity including an effective localization performance for video management systems
- ▶ all typical false alarm sources e.g. sunlight, flashes, swaying trees are eliminated

